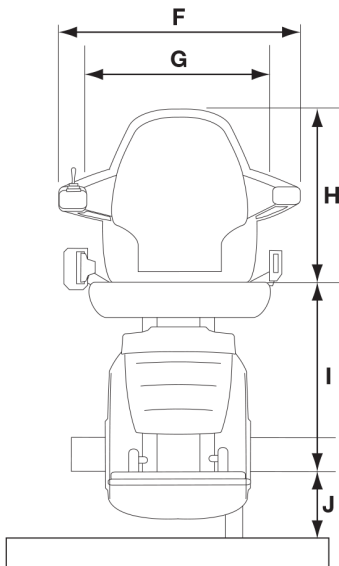
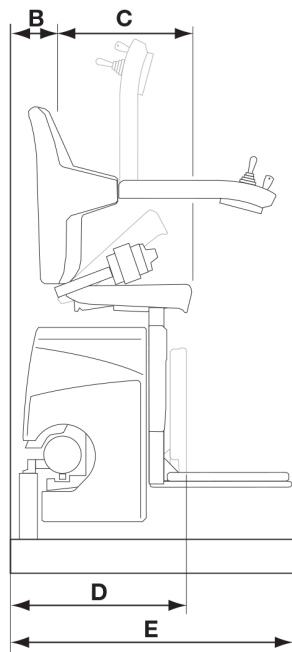
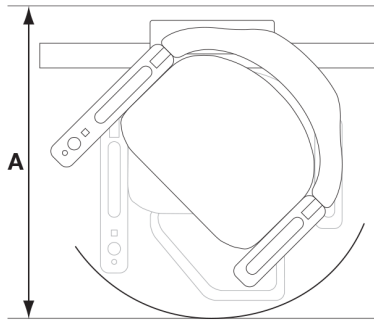


Handicare Freecurve

Single Rail Curved Stairlifts



| Classic Seat | | Dimensions | |
|--|--------------------------------------|------------|------------|
| | | Van Gogh | Rembrandt |
| A | Swivel radius* | 730-665mm | 750-685mm |
| B | Wall to inner seat back | 105mm | 125mm |
| C | Seat depth | 370mm | 370mm |
| D | Minimum folded width to footplate | 420mm | 440mm |
| E | Minimum open width to edge footplate | 640mm | 660mm |
| | Offset footplate | 610mm | 630mm |
| F | Armrest width – external | 560mm | 560mm |
| G | Armrest width – internal | 440mm | 440mm |
| H | Seat back height | 400mm | 400mm |
| I | Footplate to seat height | 475mm | 475mm |
| J | Minimum footplate height | 100/125mm | 100/125mm |
| Minimum track intrusion into staircase | | 170mm | 190mm |
| Maximum weight limit | | 125kg/19st | 125kg/19st |

* Dimensions may vary depending on hand of seat

Some of the above dimensions depend on the characteristics of the staircase in the home. Please consult the sales manual for further information about these dimensions and features of this seat. All information is provided in good faith but does not constitute a guarantee. Handicare reserves the right to alter designs and specifications without prior notice.

T : UK/USA > 0031 72 75 11116
 GER > 0031 72 75 11117
 FRA > 0031 72 75 11118
 ROW > 0031 72 75 11119
 F : 0031 72 57 68 877
 E: data@handicare.com