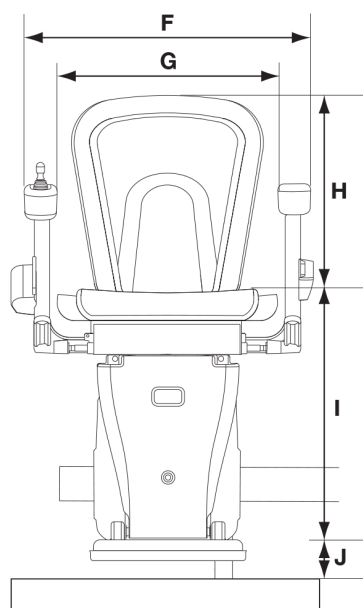
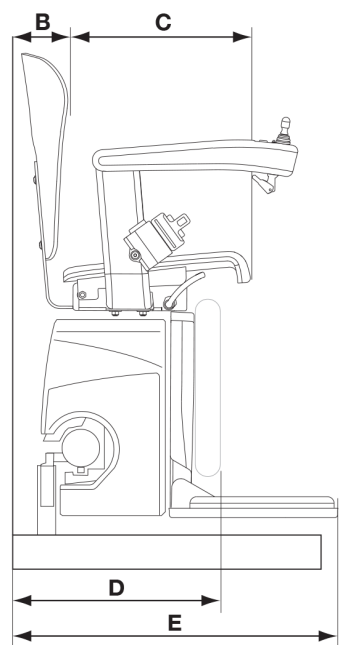
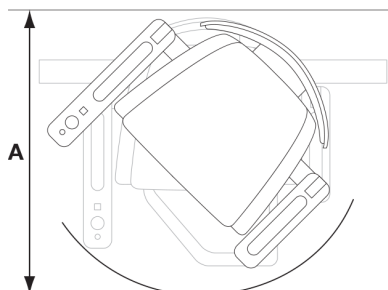


Handicare Freecurve

Single Rail Curved Stairlifts



Alliance Seat		Dimensions	
		Van Gogh	Rembrandt
A	Swivel radius*	720-700mm	740-720mm
B	Wall to inner seat back	105mm	125mm
C	Seat depth	380mm	380mm
D	Minimum folded width to footplate	420mm	440mm
E	Minimum open width to edge footplate	640mm	660mm
	Offset footplate	610mm	630mm
F	Armrest width – external	565-595mm	565-595mm
G	Armrest width – internal	435-465mm	435-465mm
H	Seat back height	395-415mm	395-415mm
I	Footplate to seat height	490mm	490mm
J	Minimum footplate height	100/125mm	100/125mm
Minimum track intrusion into staircase		170mm	190mm
Maximum weight limit		125kg/19st	125kg/19st

* Dimensions may vary depending on hand of seat

Some of the above dimensions depend on the characteristics of the staircase in the home. Please consult the sales manual for further information about these dimensions and features of this seat. All information is provided in good faith but does not constitute a guarantee. Handicare reserves the right to alter designs and specifications without prior notice.

T : UK/USA > 0031 72 75 11116
 GER > 0031 72 75 11117
 FRA > 0031 72 75 11118
 ROW > 0031 72 75 11119
 F : 0031 72 57 68 877
 E: data@handicare.com